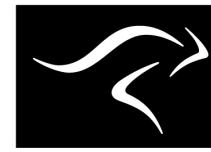
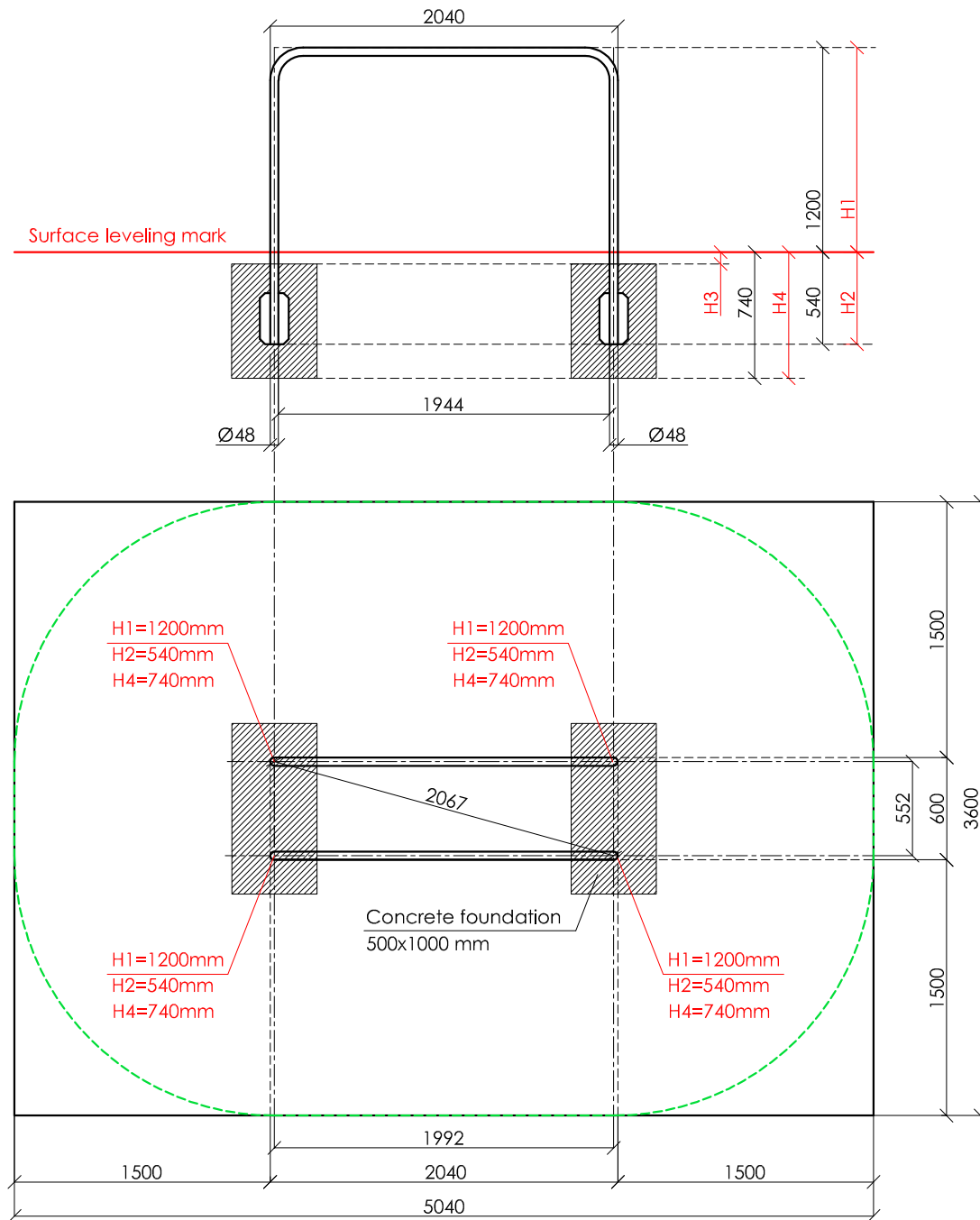
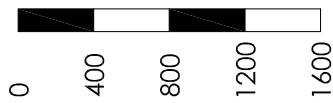


SCALE 1:40



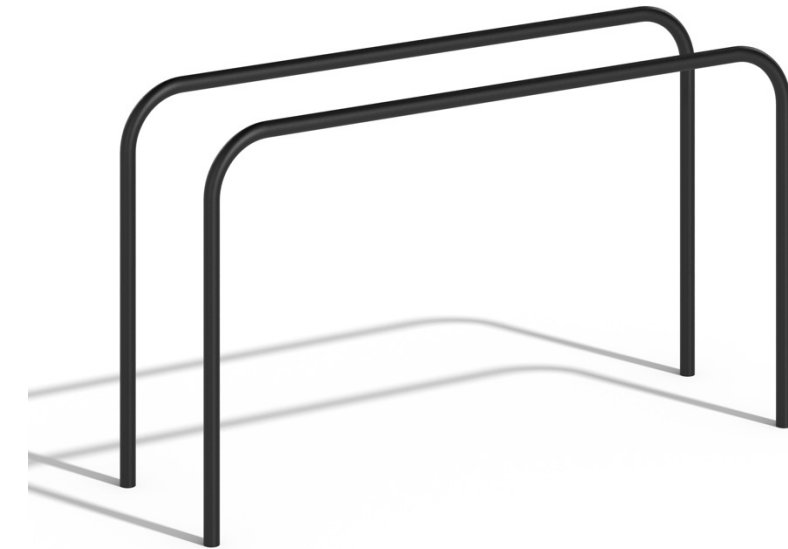
**KENGURU
PRO**

"KENGURU PRO" LTD

Address: Lauteres street 4, Riga, Latvia, LV-1002
 VAT Reg. No. 40103750152
 Bank: A/S Luminor bank, SWIFT: RIKOLV2X,
 Bank Account: LV65RIKO0002930161161
 e-mail: info@kengurupro.eu
 www.kengurupro.eu

K-008

Low parallel bars



The construction consists of two curved bars that are placed parallel. The distance between the inside surface of the bars is 500 mm. The upper horizontal surface of the bars is 1650 mm long. Bars are symmetrically curved at the angle of 90 degrees and create the construction at the height of 1200 mm (1300 mm optional height is possible) from the foundations. Weight 52 kg.

Installation instructions:

- Choose a suitable underground for the unit (see page 2, table 2)!
- Prepare the construction pit with a drilling machine or other devices.
- Before pouring the concrete all structures elements must be leveled and fixed.
- Complex elements must be fixed and bolted together with metal clamps.
- Ready-made C25 concrete should be used.
- Crossbars installation height can be changed according to customer's wishes.
- Approximately 0,15m³ concrete is needed for each spot foundation.
- Under the structures we recommend to install absorbing rubber cover.

The size of the hole for the foundation is depending on the consistency of the ground. The dimensions mentioned above are applicable for normal conditions with firm ground. If the ground is extremely soft, a much bigger foundation is needed. Use only appropriate material and follow the installation instructions closely!!!

Foundation plan and area of movement of the K-008 Low parallel bars				Technical information	
Foundation when using Shock absorbing underground (synthetic - rubber granulates)		Beveling of foundation when using loose filling material		width:	600 mm
				height:	1200 mm
				length:	2040 mm
				largest part:	2160 mm
				weight:	52 kg
				floor space required	5040 x 3600 mm
				pipe measurements:	diameter: wall thickness:
					48.3 mm 3.0 mm
				metal parts:	stainless steel AISI 304, brushed surface
				metal clamps:	-
				bolts for metal clamps:	-
				max. free fall height:	< 1200 mm possible underground see DIN 79000:2012-05 Tab.2 or installation instructions
				user height:	> 140 cm
				maximum user weight:	130 kg
				certificates:	TÜV Rheinland InterCert Kft.

